






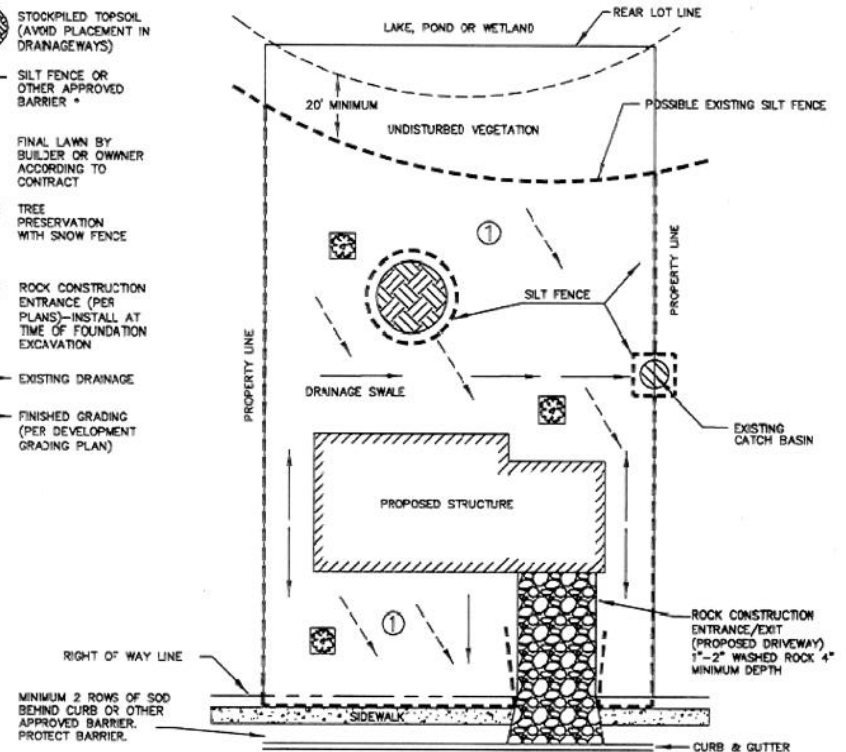


**LEGEND:**

-  STOCKPILED TOPSOIL (AVOID PLACEMENT IN DRAINAGEWAYS)
-  SILT FENCE OR OTHER APPROVED BARRIER \*
-  FINAL LAWN BY BUILDER OR OWNER ACCORDING TO CONTRACT
-  TREE PRESERVATION WITH SNOW FENCE
-  ROCK CONSTRUCTION ENTRANCE (PER PLANS)—INSTALL AT TIME OF FOUNDATION EXCAVATION
-  EXISTING DRAINAGE
-  FINISHED GRADING (PER DEVELOPMENT GRADING PLAN)

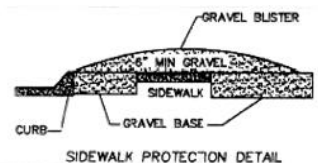


CONTRACTOR TO SWEEP OR SCRAPE SOIL FROM STREETS AS NEEDED

\*APPROVED BARRIERS INCLUDE: SILT FENCE, SOD, BIOROLLS, COMPOST LOGS, WOODCHIP WINDROW AGAINST SNOW FENCE AND 100% VEGETATED BUFFER OF >25 FEET PROTECTED WITH SNOW FENCE

EXTRA MEASURES MAY BE NEEDED IF YOUR SITE:  
 IS WITHIN 200 FEET OF A WATER OF THE STATE.  
 IS STEEP (SLOPES OF 18% OR MORE).  
 RECEIVES RUNOFF FROM ADJACENT LAND.

NOTE: ALL EROSION CONTROL MEASURES SHOWN REQUIRE REGULAR MONITORING AND MAINTENANCE BY CONTRACTOR



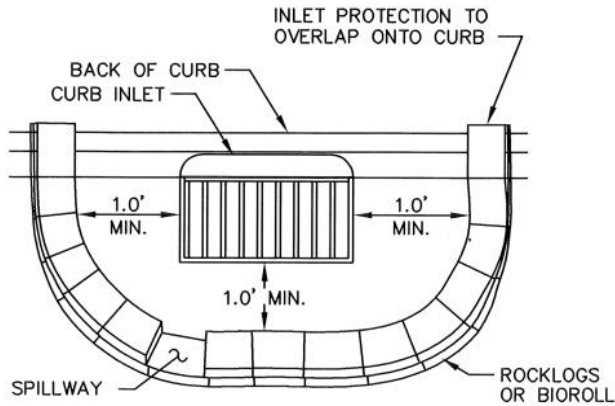
SKETCH OF PROPOSED SITE PLAN

EROSION CONTROL FOR HOME BUILDERS AND SMALL CONSTRUCTION SITES

CITY OF HUTCHINSON MN.

3/06

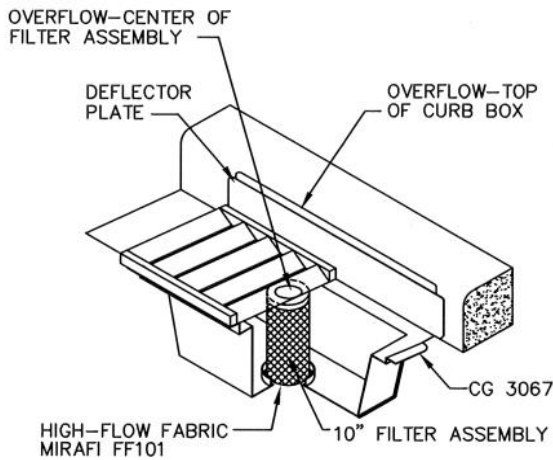
STANDARD DRAWING NO. 2622.01b



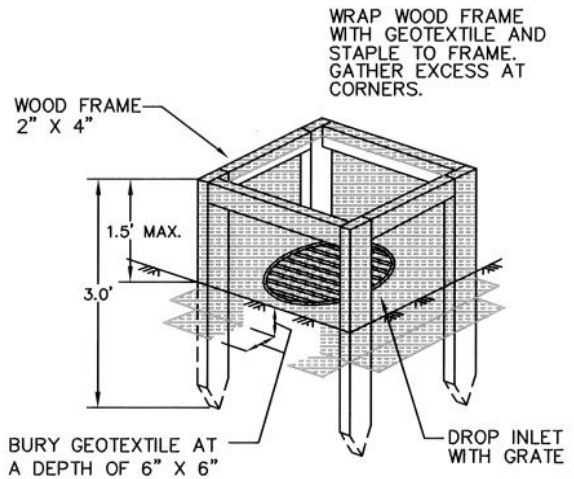
**ROCKLOGS OR BIOROLLS BARRIER AT STREET INLET**

THIS INLET PROTECTION IS USED DURING ROUGH GRADING OR WHEN ROAD IS OPEN TO ONLY CONSTRUCTION TRAFFIC. ROCKBAGS SHALL BE FILLED WITH 3/4" CLEAN ROCK. WHEN BIOROLLS ARE USED THEY SHALL BE ANCHORED IN PLACE BY STAKES SPACED NO FURTHER THAN 2' APART. STAKES SHALL BE ANGLED SUCH THAT THE FORCE OF THE WATER WOULD CAUSE THE STAKE TO ROTATE UP VERTICALLY. WHEN BIOROLL IS USED ON PAVED SURFACE IT MUST BE ADHERED TO PAVEMENT. (SPEC. 3891 TYPE A/B)

**TYPE C CATCH BASIN**



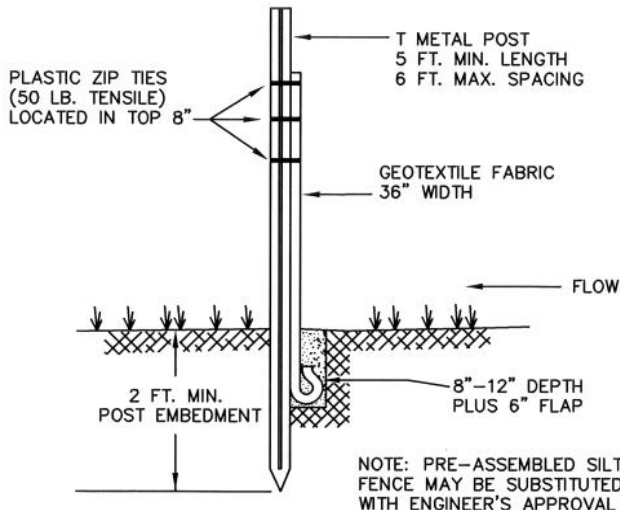
WIMCO ROAD DRAIN INLET PROTECTION  
C&G MODEL CG 3067  
( TYPE E SPEC. 3891 )



SILT FENCE BOX TO PROTECT DROP INLETS  
USE WHERE INLET DRAINS AN AREA  
WITH SLOPES AT 3:1 OR LESS  
( TYPE D SPEC. 3891 )

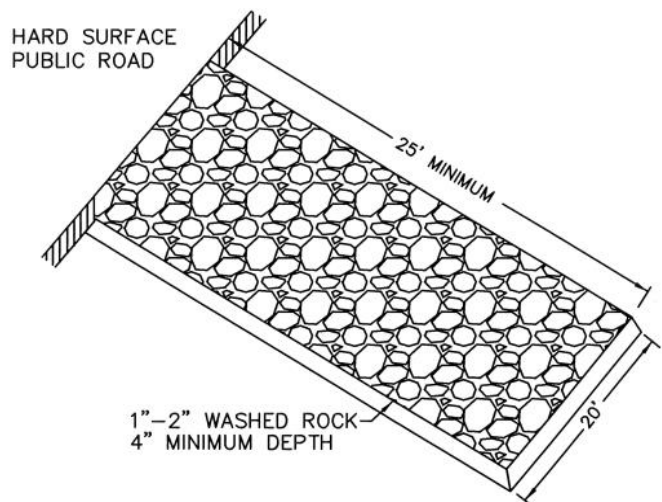
NOTE: ALL GEOTEXTILE USED FOR INLET PROTECTION SHALL BE MONOFILAMENT IN BOTH DIRECTIONS, MEETING SPEC. 3886 FOR SLICED.

**SILT FENCE - MACHINE SLICED**



NOTE: PRE-ASSEMBLED SILT FENCE MAY BE SUBSTITUTED WITH ENGINEER'S APPROVAL

**ROCK CONSTRUCTION ENTRANCE**



**INLET PROTECTION/ROCK ENTRANCE**